



# Mini Scroll Chucks



3-JAW MINI SCROLL CHUCKS

## 3-Jaw Self-Centering Scroll Chucks

- Steel body
- Solid reversible jaws
- Special compact design allows achievement of very small turned diameters
- These chucks are suitable for EMCO, UNIMAT3, and PRAZI MD200 lathes with threaded spindles

### Standard Accessories:

- 1 Set of hard solid reversible jaws
- 1 Chuck wrench

### Optional Accessories:

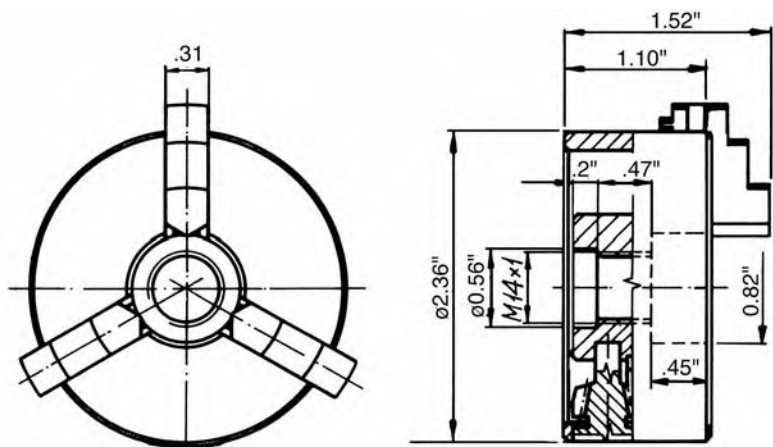
- 1 Set of soft solid jaws
- Drill chuck arbor, MT2 x 1/2" - 20



Wrench



MT2 x 1/2"-20  
Drill Chuck Arbor  
Part Number 7-052-613



### Type 3286

Chuck Dia	Chuck Part Number	Type of Mounting M	Wt lbs	Clamping Ranges min-max
2-1/3"	7-810-0212	M12 X 1	.98	.02 - 2.36
	7-810-0214	M14 X 1		
	7-810-0222	1/2 - 20		
	7-810-0225	3/4 - 16		
	7-810-0225S*	3/4 - 16*		

Spare Parts			
Hard Solid Jaws 3 Pc Set	Soft Solid Jaws 3 Pc Set	Scroll 1 Pc	Wrench 1 Pc
Part Number			
7-893-002	7-882-214	7-887-002	7-889-002

\* Threaded mount for Sherline Lathes