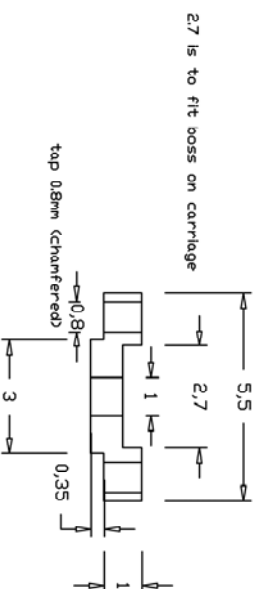
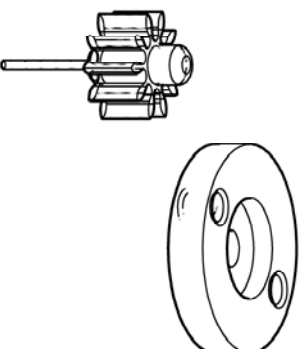
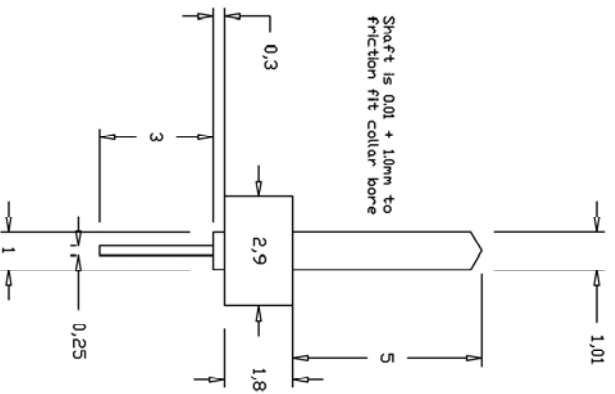


Carriage Pinion & Collar



- Pinion Specifications
- No. of leaves: 10
 - Pitch circle: 2.5mm
 - Full diameter: 2.9025mm
 - Root diameter: 1.475mm
 - Leaf thickness: 0.3125mm
 - Addendum radius: 0.205mm
 - Addendum form: 1/3 ogive
 - Tooth/pitch ratio: 2/5
 - Addendum: 0.20125mm
 - Dedendum: 0.5125mm
 - Full Tooth depth: 0.68875mm

Scale 4:1

