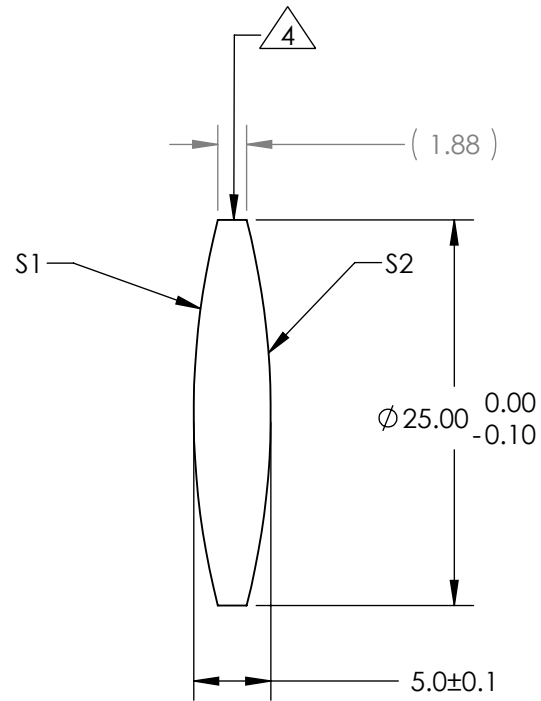



NOTES:

1. ALLOWABLE OPTICAL MATERIAL: GRADE A FINE ANNEALED
SCHOTT: BK7 517/642
2. CENTERING TOLERANCE:
BEAM DEVIATION: 3-5 arc min.
3. COATING (APPLY ACROSS COATING APERTURE)
S1: NONE
S2: NONE
4. FINE GROUND SURFACE
5. FOCAL LENGTH TOLERANCE: $\pm 1\%$



**FOR INFORMATION ONLY:
DO NOT MANUFACTURE PARTS TO THIS DRAWING**

	S1	S2				
SHAPE	CONVEX	CONVEX	EFL (AT 587.6nm)	50.00		
RADIUS	50.80	-50.80	BFL (AT 587.6nm)	48.29	DWG NO	32624
SURFACE QUALITY	40-20	40-20	ALL DIMS IN	mm		
CLEAR APERTURE	24.00	24.00				
BEVEL MAX FACE	0.25mm x 45°	0.25mm x 45°				