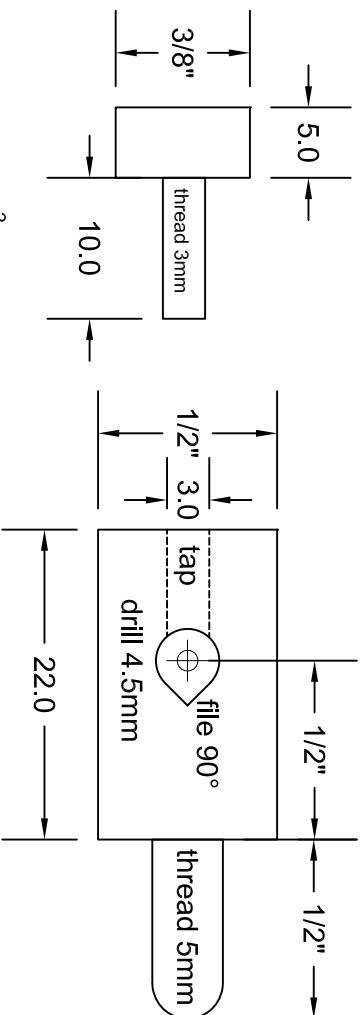


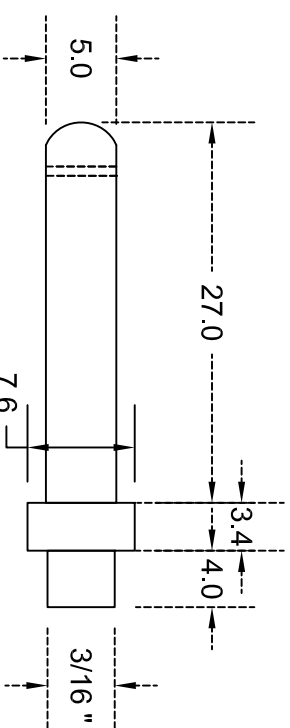
Graver Honing Jig

Adapted from J. Willding "Tools for the Clockmaker and Repairer"

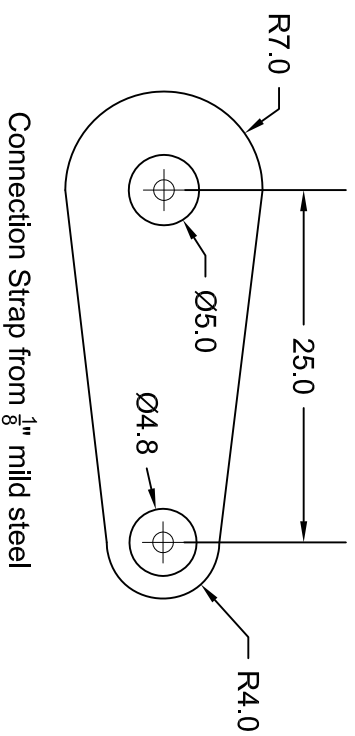


Screw from $\frac{3}{8}$ " brass

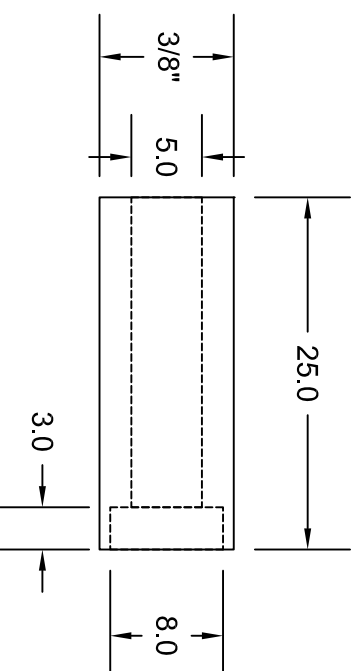
Graver Holder from $\frac{1}{2}$ " steel rod



Roller Pivot Spindle from $\frac{5}{16}$ " 12L 14



Connection Strap from $\frac{1}{8}$ " mild steel



Roller from $\frac{3}{8}$ " 12L 14

